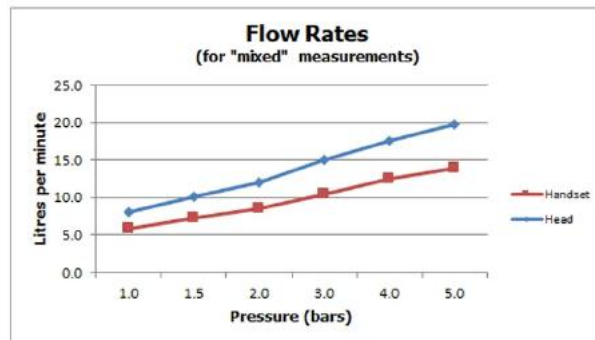


SPECIFICATION SHEET

COLLECTION: VELO

PRODUCT CODE: VEL-149RRK-RO-CP



SHOWER TYPE

Shower Column

WITH AIR-INJECTION TECHNOLOGY

Yes

WITH CROSS-SPRAY TECHNOLOGY

No

ADJUSTABLE FIXING FOR EASY RETRO FIT

No

WITH SHOWER KIT

No

VALVE TYPE

Exposed

WITH EASY-FIT BRACKETS

Yes

WITH INTEGRATED DIVERTER

Yes

WITH THERMOSTATIC TECHNOLOGY

Yes

tel: 01934 744466
email: sales@vado.com
www.vado.com

WHERE INSPIRATION FLOWS
TAPS | SHOWERS | ACCESSORIES



SPECIFICATION SHEET

COLLECTION: VELO

PRODUCT CODE: VEL-149RRK-RO-CP

SHOWER PACKAGE DESCRIPTION

- round thermostatic shower valve with integrated diverter
- rigid riser with single function shower head and shower handset
- 254mm round shower head
- 232mm height adjustment tolerance: min 1016mm – max 1248mm
- 20mm depth adjustment tolerance: min 70mm – max 90mm
- offset connectors and easy-fit brackets included

WITH WATER FLOW STRAIGHTENER

No

SPARE PARTS

thermostatic cartridge V-001B-PLA flow cartridge VEL-002A-C/P

PLUMBING SYSTEM SUITABILITY

Pumped System, Combination Boiler, Pressurised System

COLLECTION NAME

Velo

FINISH

Chrome

MINIMUM OPERATING PRESSURE

1.0 Bar MP

MAXIMUM OPERATING PRESSURE

5.0 Bar LP

GUARANTEE

15 Year Guarantee

tel: 01934 744466
email: sales@vado.com
www.vado.com

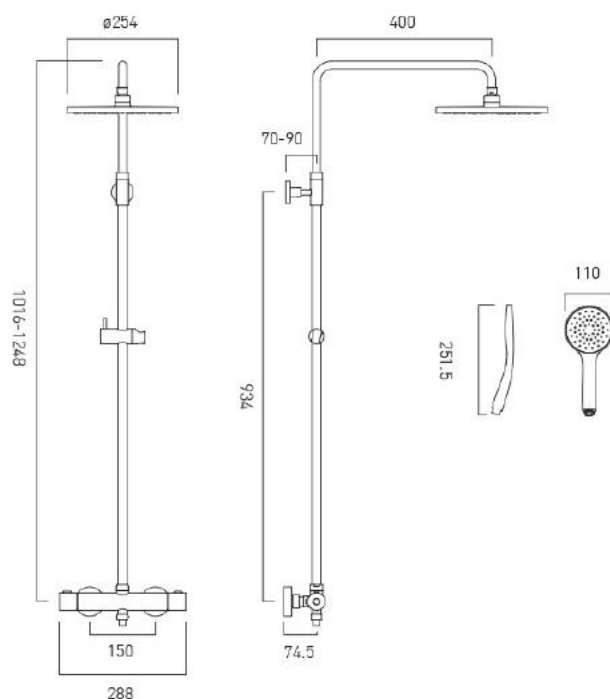
WHERE INSPIRATION FLOWS
TAPS | SHOWERS | ACCESSORIES



TECHNICAL DRAWING

COLLECTION: VELO

PRODUCT CODE: VEL-149RRK-RO-CP



tel: 01934 744466
email: sales@vado.com
www.vado.com

WHERE INSPIRATION FLOWS
TAPS | SHOWERS | ACCESSORIES

